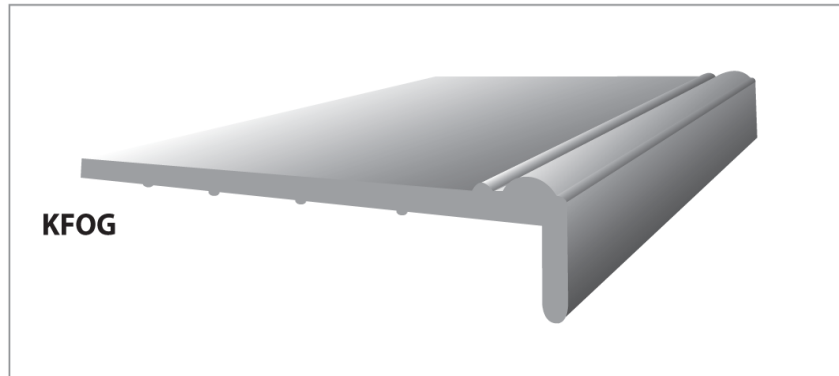


AQUACELL FOAM RANGE



To indicate the product colour(s) required, the following code suffixes should be used:
 Colour Suffixes: BG - Black Woodgrain, LO - Sherwood Woodgrain,
 RW - Rosewood Woodgrain, WG - Mahogany Woodgrain, BL - Black and BR - Brown

9mm Ogee Fascia Capping & Accessories

Product Code	Size	White Pk Qty	Woodgrain Pk Qty	Colours Pk Qty
KFOG100	100	2 x 5m	2 x 5m	2 x 5m
KFOG150	150	2 x 5m	2 x 5m	2 x 5m
KFOG175	175	2 x 5m	2 x 5m	2 x 5m
KFOG200	200	2 x 5m	2 x 5m	2 x 5m
KFOG225	225	2 x 5m	2 x 5m	2 x 5m
KFOG250	250	2 x 5m	2 x 5m	2 x 5m
KFOG300	300	2 x 5m	2 x 5m	2 x 5m
KFOG405	405	2 x 5m	2 x 5m	2 x 5m

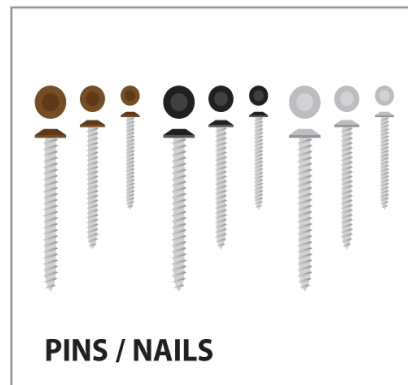
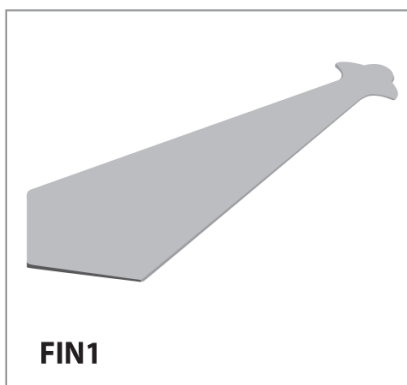
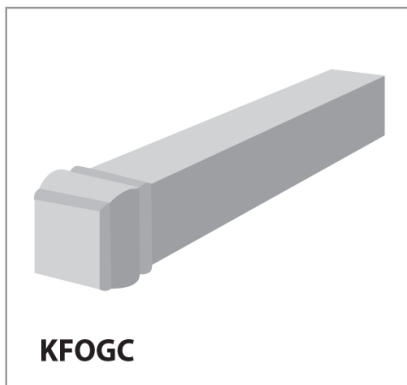
All sizes are internal

9mm Ogee Fascia Capping & Accessories

Product Code	Size	White Pk Qty	Woodgrain Pk Qty	Colours Pk Qty
KFOGC	300	100	100	100
KFOGC600	600	100	100	100
KFOGJ	300	100	100	100
KFOGJ600	600	100	100	100
FIN1		100	100	100

Polytop Pins/Nails available in: Black, Brown, White and Light Oak

K/P/30	30	200 box	200 box	200 box
K/P/40	40	200 box	200 box	200 box



All sizes are internal