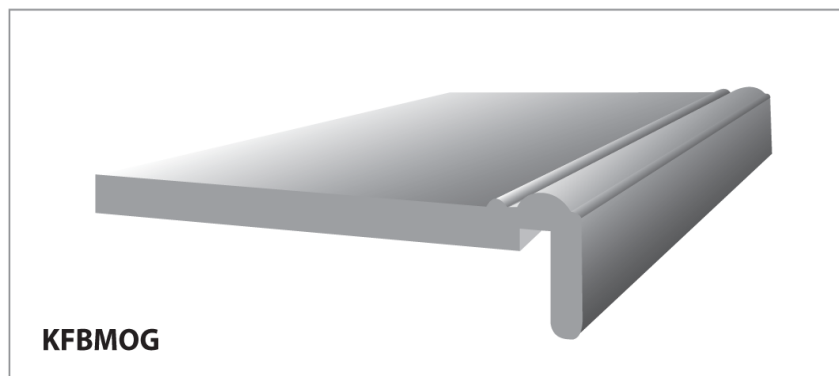


# AQUACELL FOAM RANGE



To indicate the product colour(s) required, the following code suffixes should be used:  
 Colour Suffixes: BG - Black Woodgrain, LO - Sherwood Woodgrain,  
 RW - Rosewood Woodgrain, WG - Mahogany Woodgrain, BL - Black and BR - Brown

## 16mm Ogee Fascia & Accessories

Product Code	Size	White Pk Qty	Woodgrain Pk Qty	Colours Pk Qty
<b>KFBMOG100</b>	100	2 x 5m	2 x 5m	2 x 5m
<b>KFBMOG150</b>	150	2 x 5m	2 x 5m	2 x 5m
<b>KFBMOG175</b>	175	2 x 5m	2 x 5m	2 x 5m
<b>KFBMOG200</b>	200	2 x 5m	2 x 5m	2 x 5m
<b>KFBMOG225</b>	225	2 x 5m	2 x 5m	2 x 5m
<b>KFBMOG250</b>	250	2 x 5m	2 x 5m	2 x 5m
<b>KFBMOG300</b>	300	2 x 5m	2 x 5m	2 x 5m
<b>KFBMOG405</b>	405	2 x 5m	2 x 5m	2 x 5m

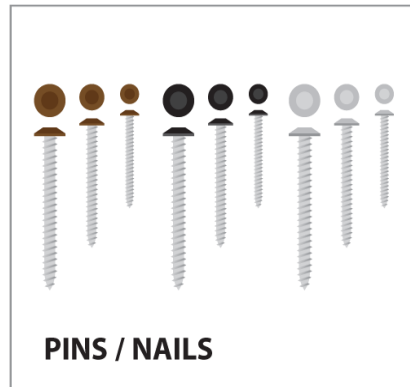
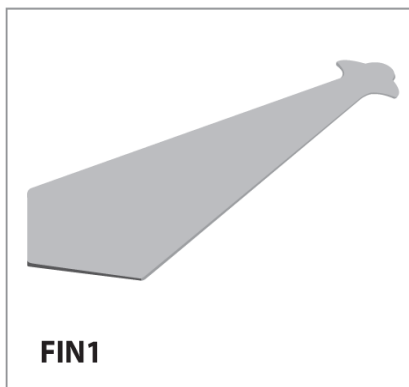
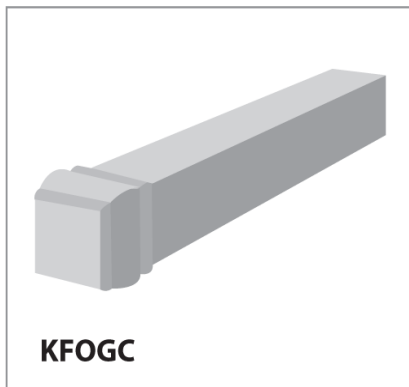
All sizes are internal

## 16mm Ogee Fascia & Accessories

Product Code	Size	White Pk Qty	Woodgrain Pk Qty	Colours Pk Qty
<b>KFOGC</b>	300	100	100	100
<b>KFOGC600</b>	600	100	100	100
<b>KFOGJ</b>	300	100	100	100
<b>KFOGJ600</b>	600	100	100	100
<b>FIN1</b>		100	100	100

Polytop Pins/Nails available in: Black, Brown, White and Light Oak

<b>K/N/50</b>	50	100 box	100 box	100 box
<b>K/N/65</b>	65	100 box	100 box	100 box



All sizes are internal